

THE STANDARD LENGTH ADVENTURE MAIN BAR IS SUITABLE FOR FACTORY TUB AND SUV APPLICATIONS

ADVENTURE BIKE HANDLEBARS 875mm ACROSS

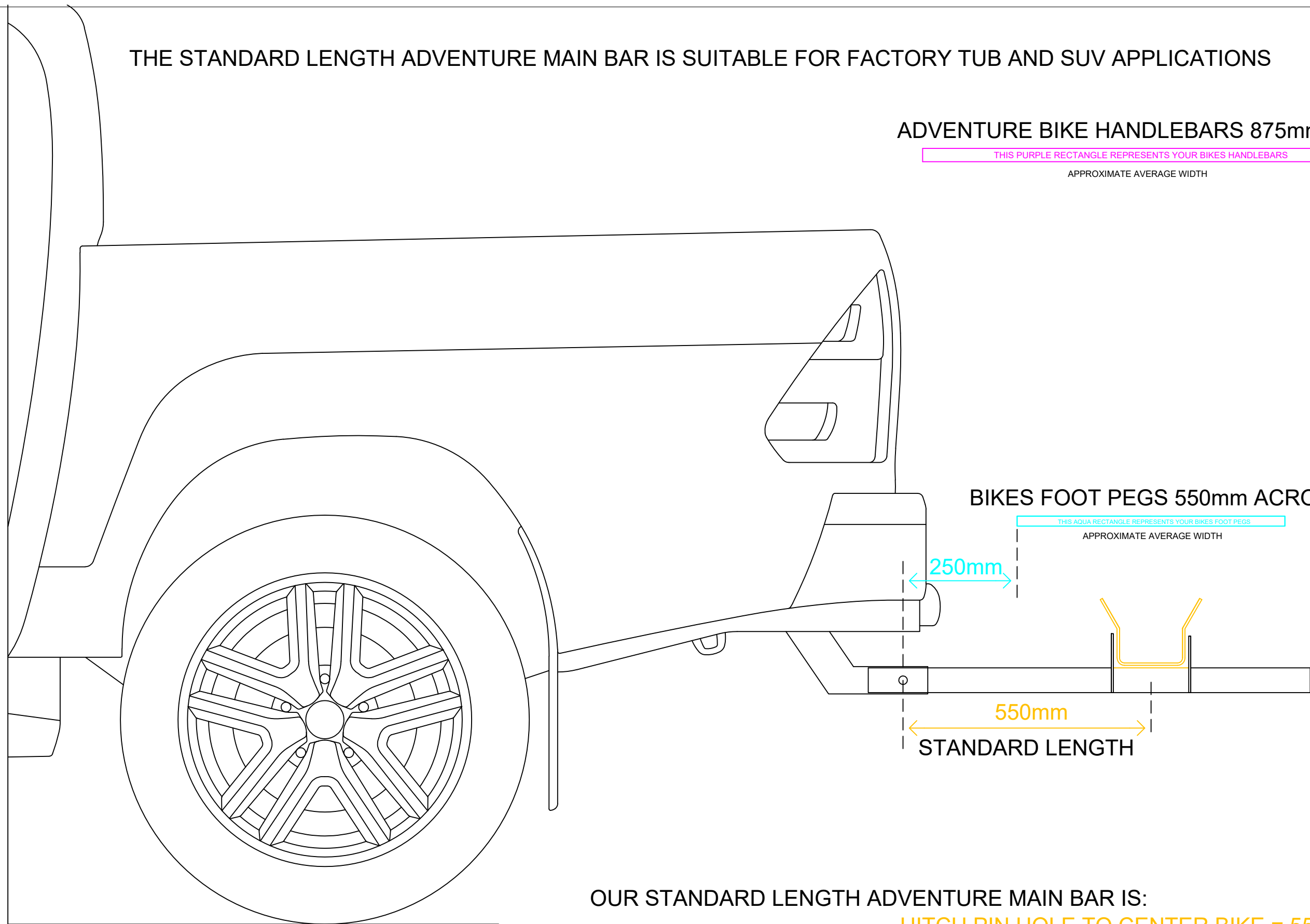
THIS PURPLE RECTANGLE REPRESENTS YOUR BIKES HANDLEBARS

APPROXIMATE AVERAGE WIDTH

BIKES FOOT PEGS 550mm ACROSS

THIS AQUA RECTANGLE REPRESENTS YOUR BIKES FOOT PEGS

APPROXIMATE AVERAGE WIDTH



OUR STANDARD LENGTH ADVENTURE MAIN BAR IS:

HITCH PIN HOLE TO CENTER BIKE = 550mm

HITCH PIN HOLE TO BIKES INSIDE PEG = 250mm

RACK N ROLL HITCH MOUNTED MOTORCYCLE CARRIER ADVENTURE MAIN BAR STANDARD DIMENSIONS

HOW TO SELECT THE CORRECT LENGTH MAIN BAR FOR YOUR FACTORY TUB UTE

ALL COPYRIGHT AND OTHER PROPERTY RIGHTS CONTAINED HEREIN ARE THE PROPERTY OF RACK N ROLL PTY LTD AND ARE NOT TO BE COPIED, REPRODUCED OR DISTRIBUTED WITHOUT PRIOR WRITTEN CONSENT OF RACK N ROLL PTY LTD

© RACK N ROLL PTY LTD