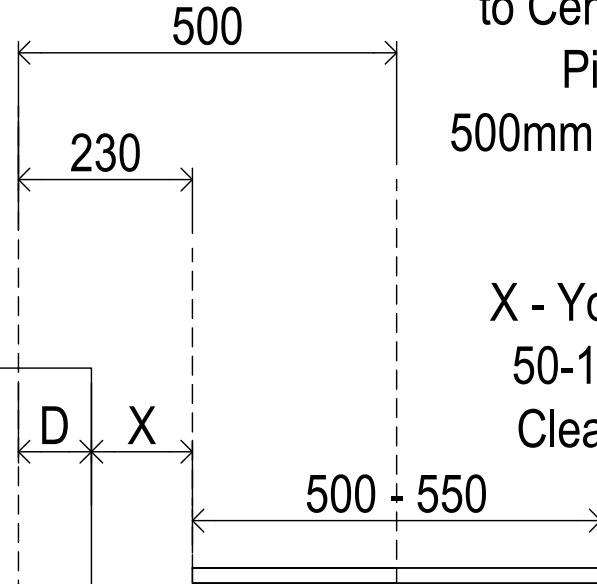


Where The Bikes Bars Can Hang Into The Tray 100mm etc

Inside Foot Peg is 230mm from Centre Pin on Standard Bar

Centre Bike Channel to Centre Hitch Pin is 500mm Standard

What is D?
Subtract 230 from D then add X
Round Up to the Nearest +Main Bar
i.e +50, +100, +150, +200 etc



X - You Want 50-100mm Clearance

Bikes Foot Pegs

Hitch Pin Hole

